



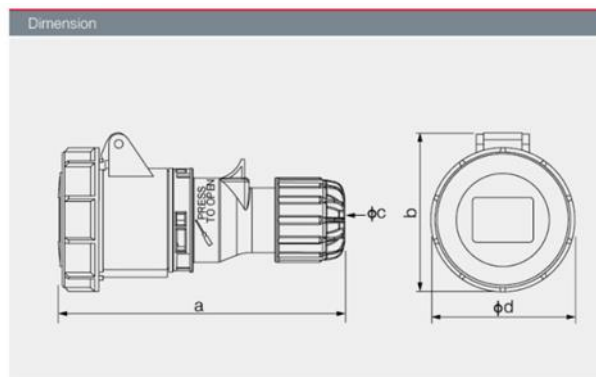
**Product Code**

**VP32041**



**32A 3P +E Coupler IP67**

★ Rated current: 32A
★ Rated voltage: 380-415V
★ No. of poles:3P +E
★ Protection degree: IP67
★ Housing material: Flame Retardant PA6 RoHS Reach Contact: nickel-plated brass RoHS Reach
★ Standards: IEC60309-1, IEC60309-2
★ Certificates: S,CB,CE,TUV,ISO9001:2008,RoHS,REACH



Current	16A			32A			
	Pole	3	4	5	3	4	5
a		134	138	146	166	166	171
b		78.5	85	93	98	98	104
c		15	15	17	22	22	22
d		71	79	86.5	93.5	93.5	99.5
Cable size(mm <sup>2</sup> )		1~2.5			2.5~6		

